

Watertight Flat Lid - (1554 Series)

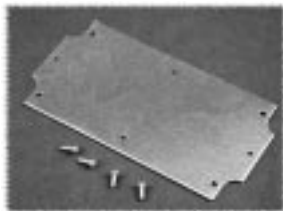
Plastic



KEY FEATURES

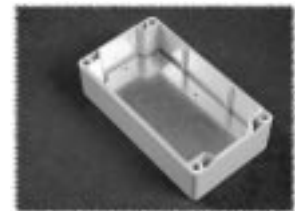
- Electronic instrument enclosures, designed for mounting printed circuit boards or DIN rail mounted components.
- Molded in general purpose ABS plastic or polycarbonate material.
- The general purpose ABS plastic carries a UL flammability rating of UL94HB. Not recommended for outdoor use.
- The polycarbonate material carries a UL flammability rating of UL94 5V and is suitable for outdoor use.
- Color is light gray (RAL 7035)
- Gasketed lid with two piece “tongue & groove” construction provides protection against access of oil, dust and water.
- Designed to meet IP66 & NEMA 4, 4X, 12 & 13 ratings
- Gasket is factory poured using high temperature U.L. listed - silicone rubber gasket material.
- Lid is secured with self capturing M4 stainless steel machine screws (included), threaded into integral stainless steel bushings (for repetitive assembly & disassembly).
- All stainless steel hardware to avoid corrosion caused by dissimilar metals.
- Lid and mounting holes are located outside of the gasket seal.
- Heavy duty 16 gauge galvanized steel panels available (see chart)
- Internal features are maximized for mounting options:
 - Internal DIN rail mounting tabs molded in all except the 1554CGY & 1554C2GY
 - Threaded (M3) integral brass inserts & standoffs designed for M3.5 or #6 self tapping screws for P.C. board or inner panel mounting in all but the smallest size (1554BGY & 1554B2GY)
 - Vertical P.C. card guides (for 1.5 mm thick P.C. boards) are molded in all but the smallest size (1554BGY & 1554B2GY)

ACCESSORIES

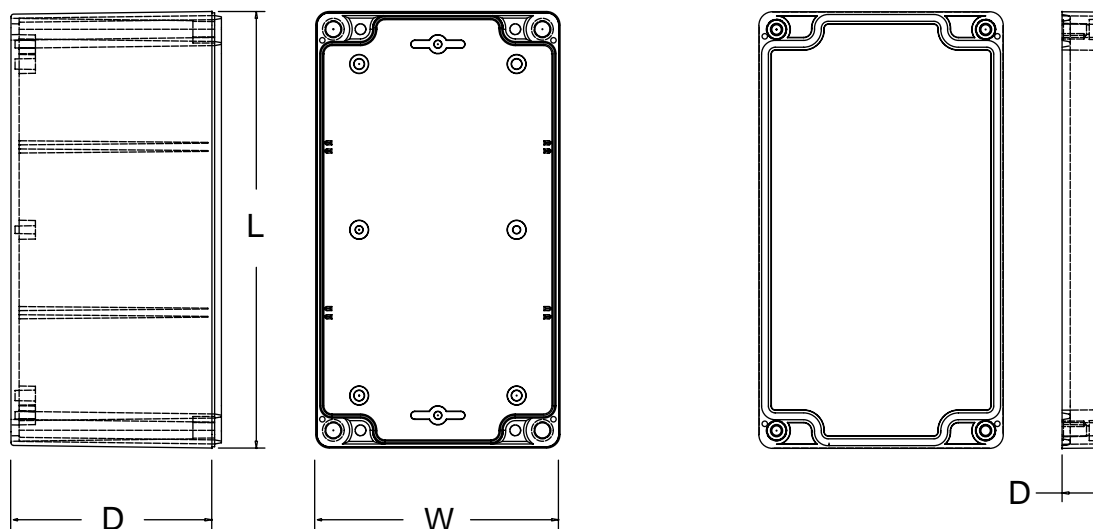


Panels

Heavy duty panel for mounting components. Galvanized 16 ga. steel. Includes mounting hardware.
See table (facing page) for part numbers



Watertight Flat Lid - (1554 Series)



Body View

Lid View

Plastic

Part Number		Units	Dimensions					Optional Inner Panel Part Number	Units	Dimensions	
ABS	Poly-carbonate		Length (L)	Width (W)	Overall Depth (D)					Length	Width
		Assembled			Box	Lid					
1554BGY	1554B2GY	inch mm	2.6 65	2.6 65	1.6 40	.98 25	.59 15	1554BPL	inch mm	2.2 56	2.2 59
1554EGY	1554E2GY	inch mm	3.5 90	3.5 90	2.4 60	1.77 45	.59 15	1554EPL	inch mm	3.1 79	3.1 79
1554CGY	1554C2GY	inch mm	4.7 120	2.6 65	1.6 40	.98 25	.59 15	1554CPL	inch mm	4.4 112	2.1 53
1554DGY	1554D2GY	inch mm	4.7 120	2.6 65	2.4 60	1.77 45	.59 15	1554CPL	inch mm	4.4 112	2.1 53
1554FGY	1554F2GY	inch mm	4.7 120	3.5 90	2.4 60	1.77 45	.59 15	1554FPL	inch mm	4.3 109	3.1 79
1554GGY	1554G2GY	inch mm	4.7 120	3.5 90	3.2 80	2.56 65	.59 15	1554FPL	inch mm	4.3 109	3.1 79
1554NGY	1554N2GY	inch mm	4.7 120	4.7 120	2.4 60	1.77 45	.59 15	1554NPL	inch mm	4.25 108	4.2 107
1554PGY	1554P2GY	inch mm	4.7 120	4.7 120	3.15 80	2.56 65	.59 15	1554NPL	inch mm	4.25 108	4.2 107
1554JGY	1554J2GY	inch mm	6.3 160	3.5 90	2.4 60	1.77 45	.59 15	1554JPL	inch mm	5.8 147	3.0 76
1554KGY	1554K2GY	inch mm	6.3 160	3.5 90	3.5 90	2.95 75	.59 15	1554JPL	inch mm	5.8 147	3.0 76
1554RGY	1554R2GY	inch mm	6.3 160	6.3 160	2.4 60	1.77 45	.59 15	1554RPL	inch mm	5.94 151	5.8 147
1554SGY	1554S2GY	inch mm	6.3 160	6.3 160	3.5 90	2.95 75	.59 15	1554RPL	inch mm	5.94 151	5.8 147
1554HGY	1554H2GY	inch mm	7.1 180	4.7 120	2.4 60	1.77 45	.59 15	1554HPL	inch mm	6.6 168	4.2 107
1554TGY	1554T2GY	inch mm	7.1 180	4.7 120	3.5 90	2.95 75	.59 15	1554HPL	inch mm	6.6 168	4.2 107
1554UGY	1554U2GY	inch mm	7.9 200	4.7 120	3.5 90	2.95 75	.59 15	1554UPL	inch mm	7.6 193	4.2 107
1554VGY	1554V2GY	inch mm	9.5 240	6.3 160	3.5 90	2.95 75	.59 15	1554VPL	inch mm	9.1 231	5.7 145

NOTE: Please refer to our website www.hammondmfg.com for complete drawings & photos of each part number



CANADA
Guelph, Ontario (519) 822-2960
St. Laurent, Quebec (514) 343-9010
USA
Cheektowaga, NY (716) 651-0086



EUROPE
Basingstoke, UK +44 1256 812812

AUSTRALASIA
Queenstown, SA, Australia +61 8 8240 2244